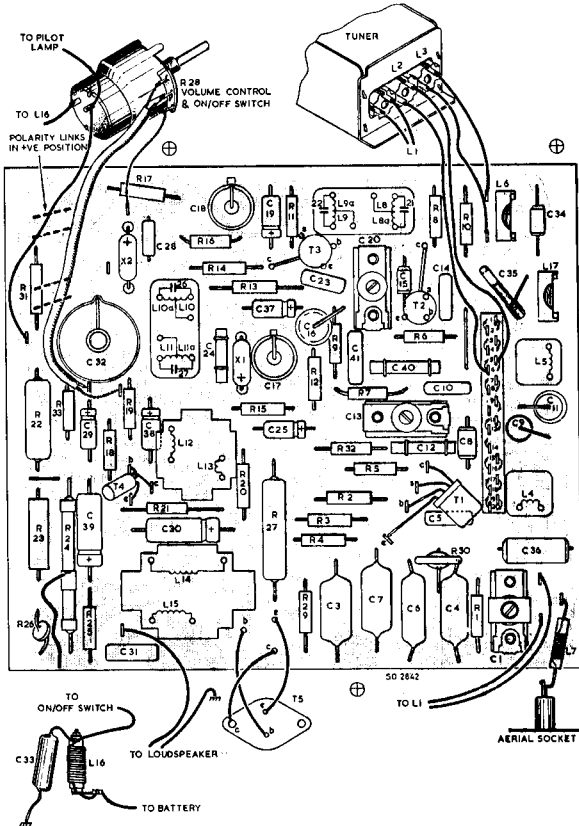


PHILIPS

Model N2G36T

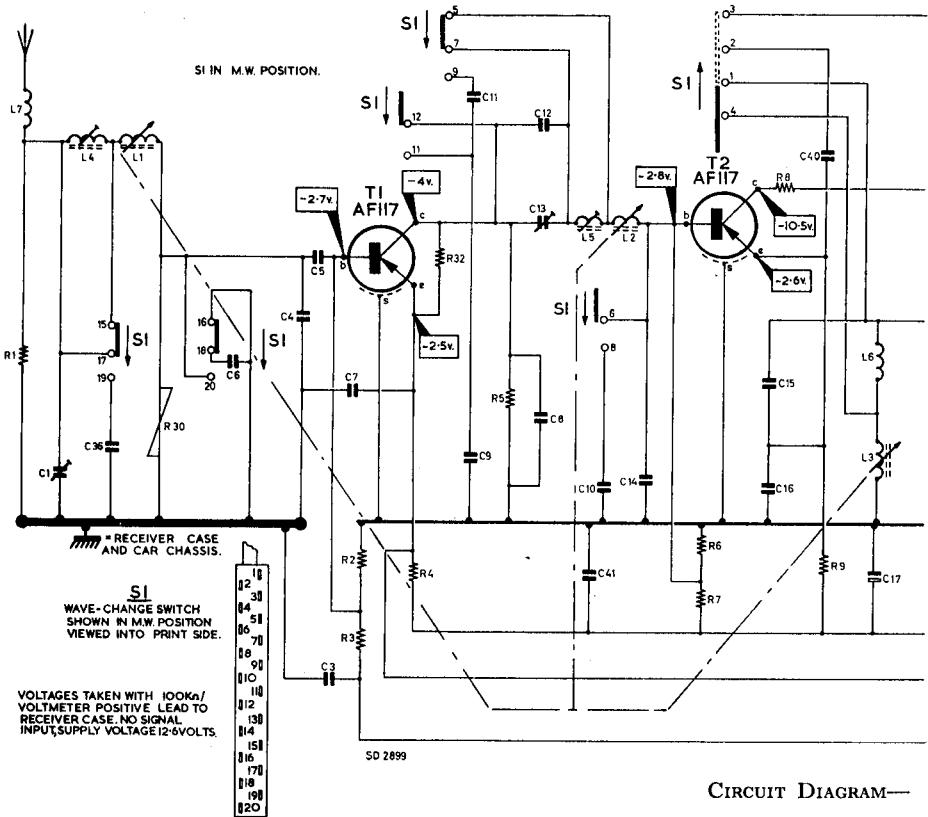
General Description: Five-transistor, M.W./L.W. car radio with manual tuning and push-button wavechange for operation from 12-volt car



COMPONENT
LAY-OUT—
PHILIPS
MODEL
N2G36T

AF117

EP
00
S
C
0



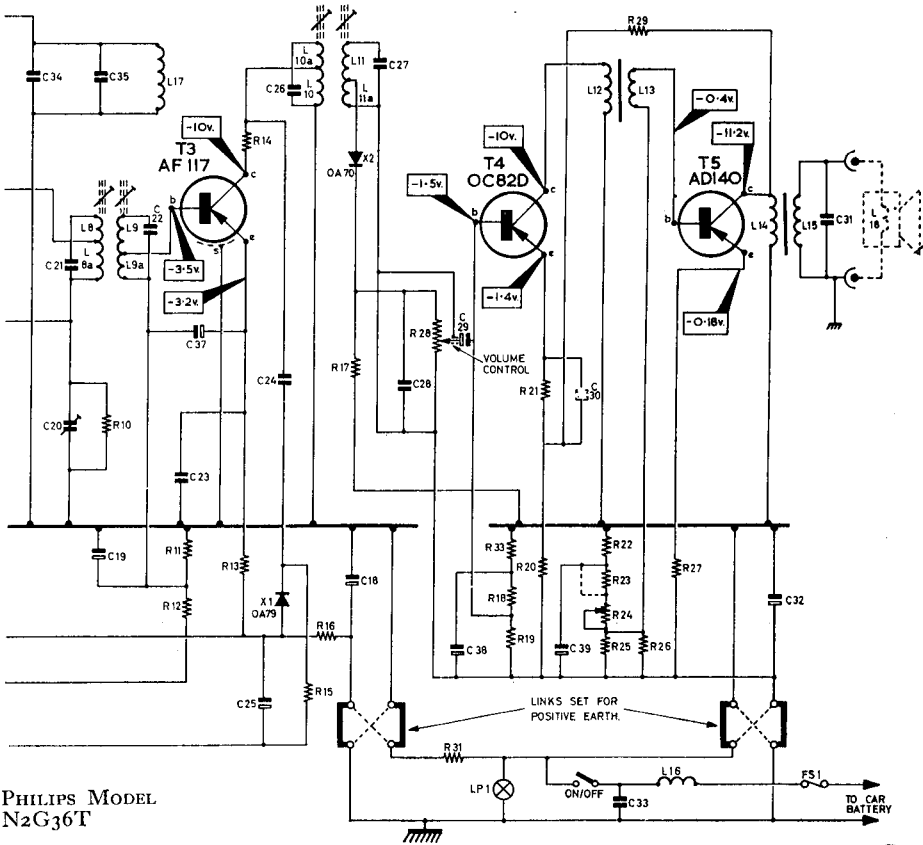
Capacitors.							
C1	80 pF. (max.)	C13	80 pF. (max.)	C25	10 μ F.	C37	4 μ F.
C3	82,000 pF.	C14	15,000 pF.	C26	91 pF.	C38	4 μ F.
C4	2,200 pF.	C15	320 pF.	C27	91 pF.	C39	25 μ F.
C5	10,000 pF.	C16	6,200 pF.	C28	10,000 pF.	C40	180 pF.
C6	3,300 pF.	C17	160 μ F.	C29	3.2 μ F.	C41	82,000 pF.
C7	82,000 pF.	C18	100 μ F.	C30	125 μ F.		
C8	500 pF.	C19	4 μ F.	C31	0.1 μ F.		
C9	2,700 pF.	C20	80 pF. (max.)	C32	1,000 μ F.		
C10	10,000 pF.	C21	91 pF.	C33	0.22 μ F.		
C11	2,200 pF.	C22	91 pF.	C34	320 pF.		
C12	150 pF.	C23	82,000 pF.	C35	275 pF.		
		C24	120 pF.	C36	1,500 pF.		

Resistors.	
R1	0.33M
R2	0.1M
R3	4.7k
R4	560
R5	6.8k

battery with either positive- or negative-earth systems. Also known as **Model 236T**. Model N2G36T/00 supplied without speaker. Model N2G36T/05 supplied with separate 5-ohm elliptical speaker. Consumption 1-amp. at 14.5 volts. Fuse (FS1) 2-amp.

Semiconductors: (T₁, 2, 3) AF117; (T₄) OC82D; (T₅) AD140; (X₁) OA79 (A.G.C. rectifier); (X₂) OA70 (detector).

Notes: To check polarity-system for which adjusting links are set, remove top cover plate and refer to polarity label affixed to printed panel. To change the polarity, unsolder and re-solder links as indicated. Voltage



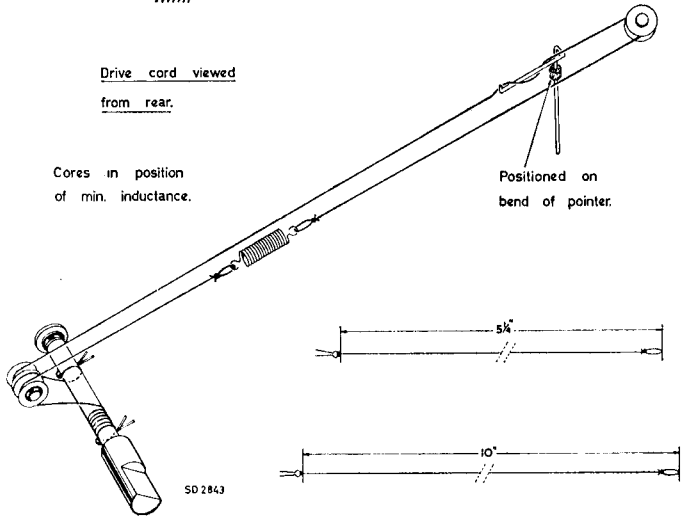
PHILIPS MODEL
N2G36T

- R6 56k
- R7 6.8k
- R8 180
- R9 1.2k
- R10 2.7k
- R11 33k
- R12 4.7k
- R13 390
- R14 180
- R15 5.6k
- R16 330
- R17 0.15M
- R18 27k
- R19 5.6k
- R20 2.2
- R21 470
- R22 120 (W. W.)
- R23 120
- R24 120 (Pre-set)
- R25 12
- R26 130 (Varite)
- R27 0.51 (W. W.)
- R28 5k (log.)
- R29 2.2k
- R30 V.D.R. (E299DD/
P220)
- R31 270
- R32 18k
- R33 10k

Drive cord viewed
from rear.

Cores in position
of min. inductance.

Positioned on
bend of pointer.



dependent resistor used to protect T₁ from static charges is type E299DD/P220. To adjust R₂₄, insert 0-1-amp meter between L₁₄ and collector of T₅, then adjust R₂₄ for reading of 480 mA. \pm 12 mA. with supply voltage of 14.5 volts and no signal input. Range of adjustment may be increased by short-circuiting or bringing into circuit R₂₃, as appropriate.

Alignment: I.F. 480 kc/s. (L₁₁, L₁₀, L₉, L₈); M.W. 508 kc/s. (C₂₀); 1560 kc/s. (C₁₃, C₁); L.W. 148 kc/s. (C₃₅); 240 kc/s. (L₅, L₄).